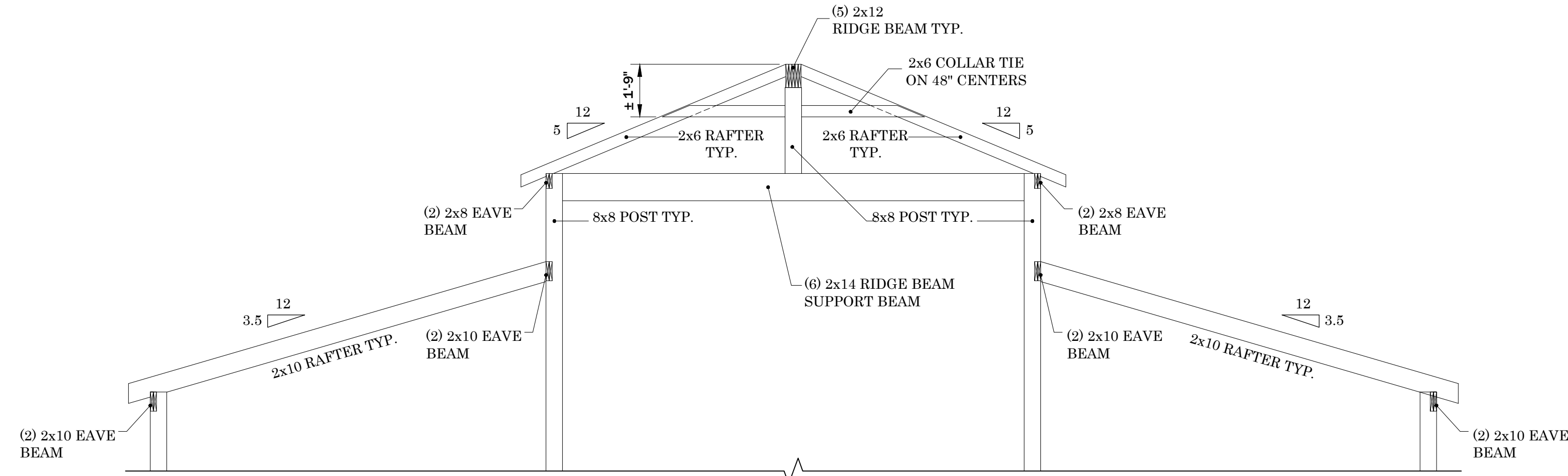
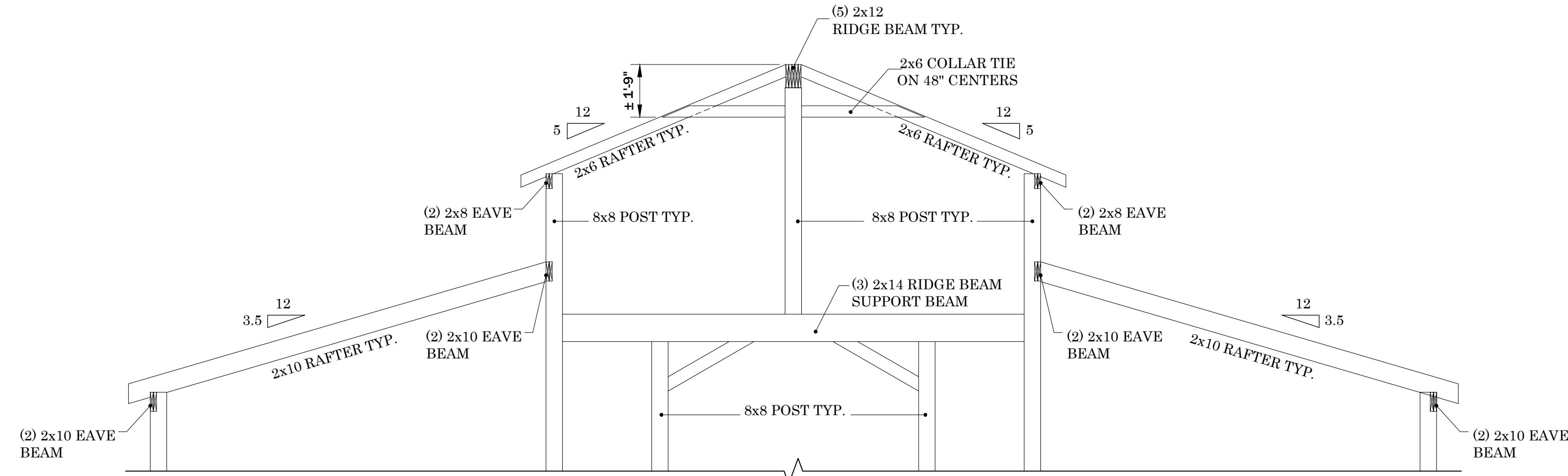
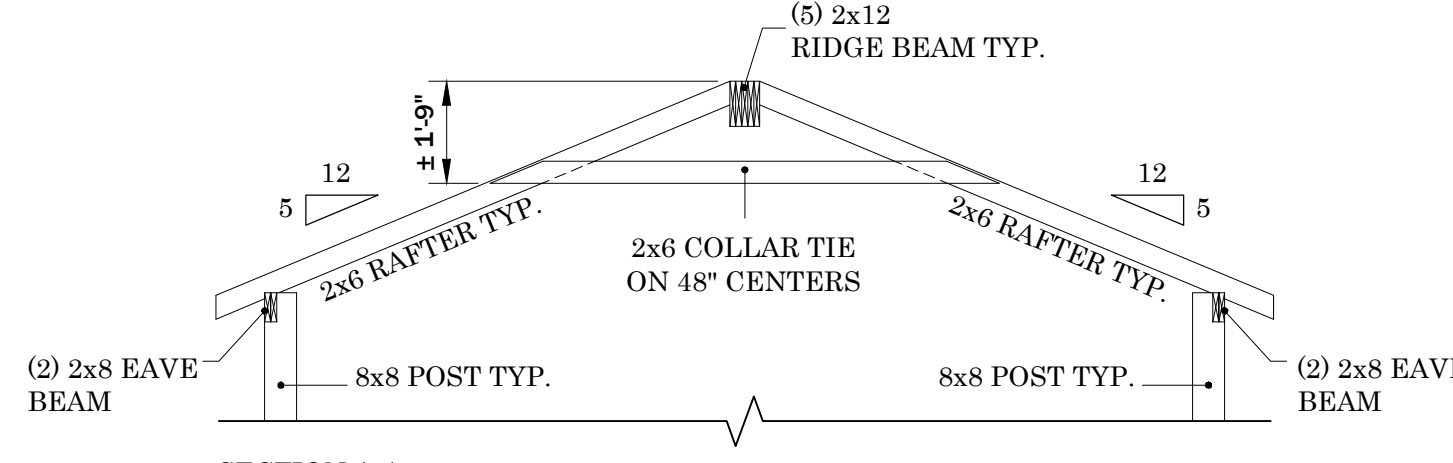
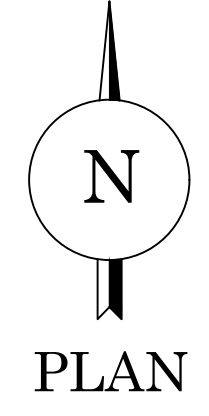
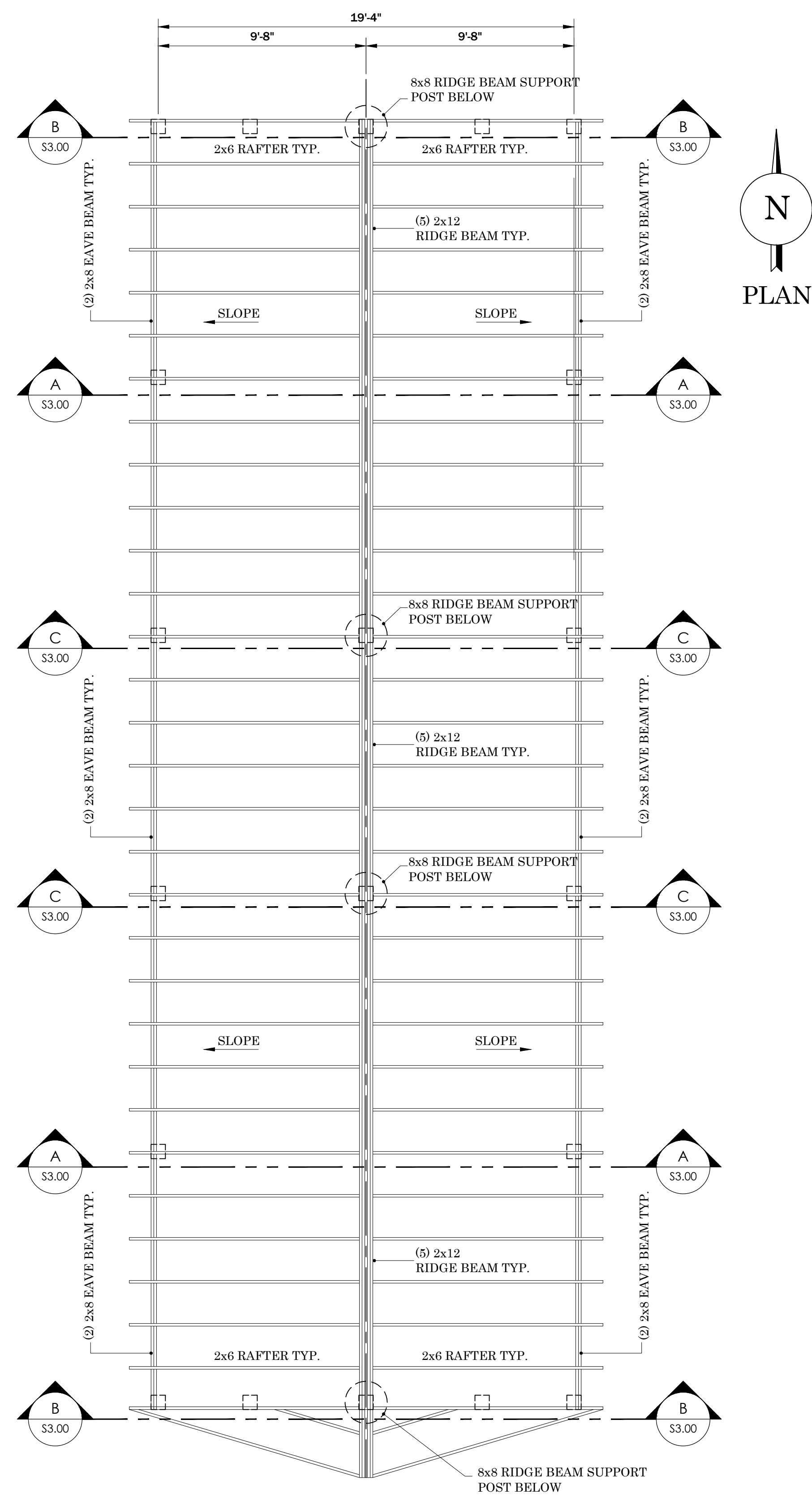


P.E. STAMP



DATE:	
REVISIONS:	

PROJECT: _____ CLIENT NAME: _____

DRAWING TITLE:	DRAWING DESCRIPTION:	ISSUE DATE:	PROJECT LOCATION:
SCALE:	DRAWN BY:	DATE:	
	PROJECT NUMBER:		

DRAWING REVISION _____
 DRAWING NUMBER _____