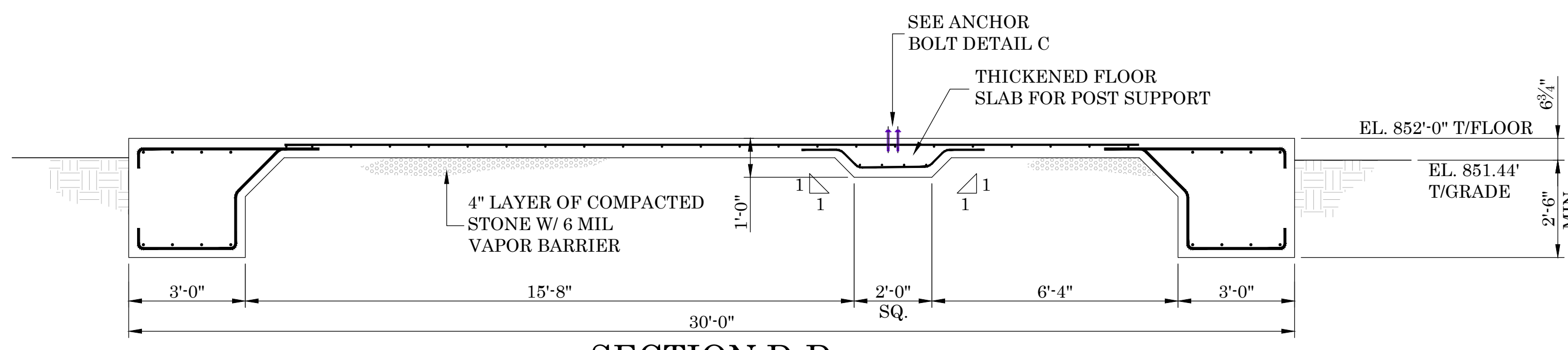
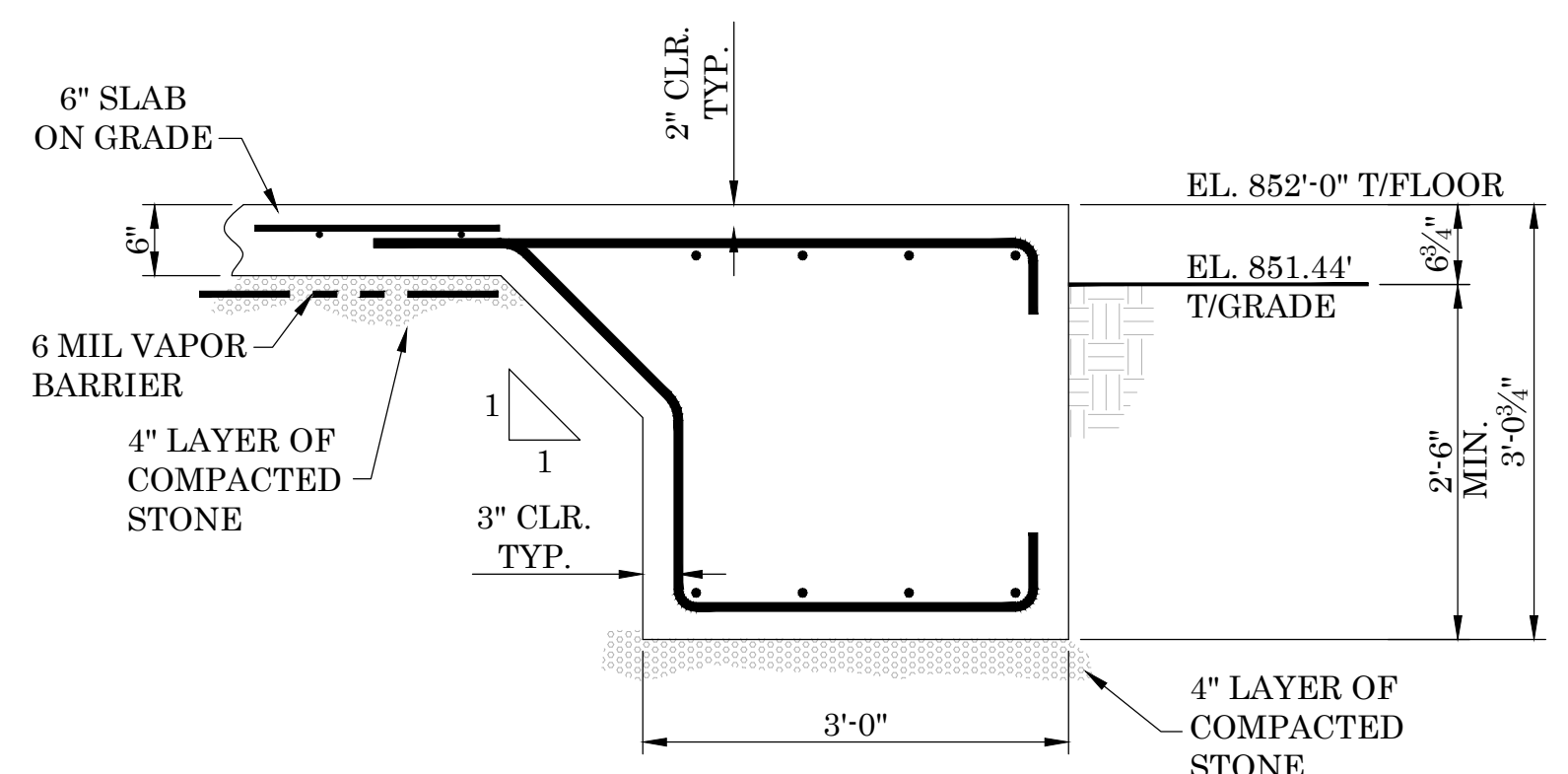


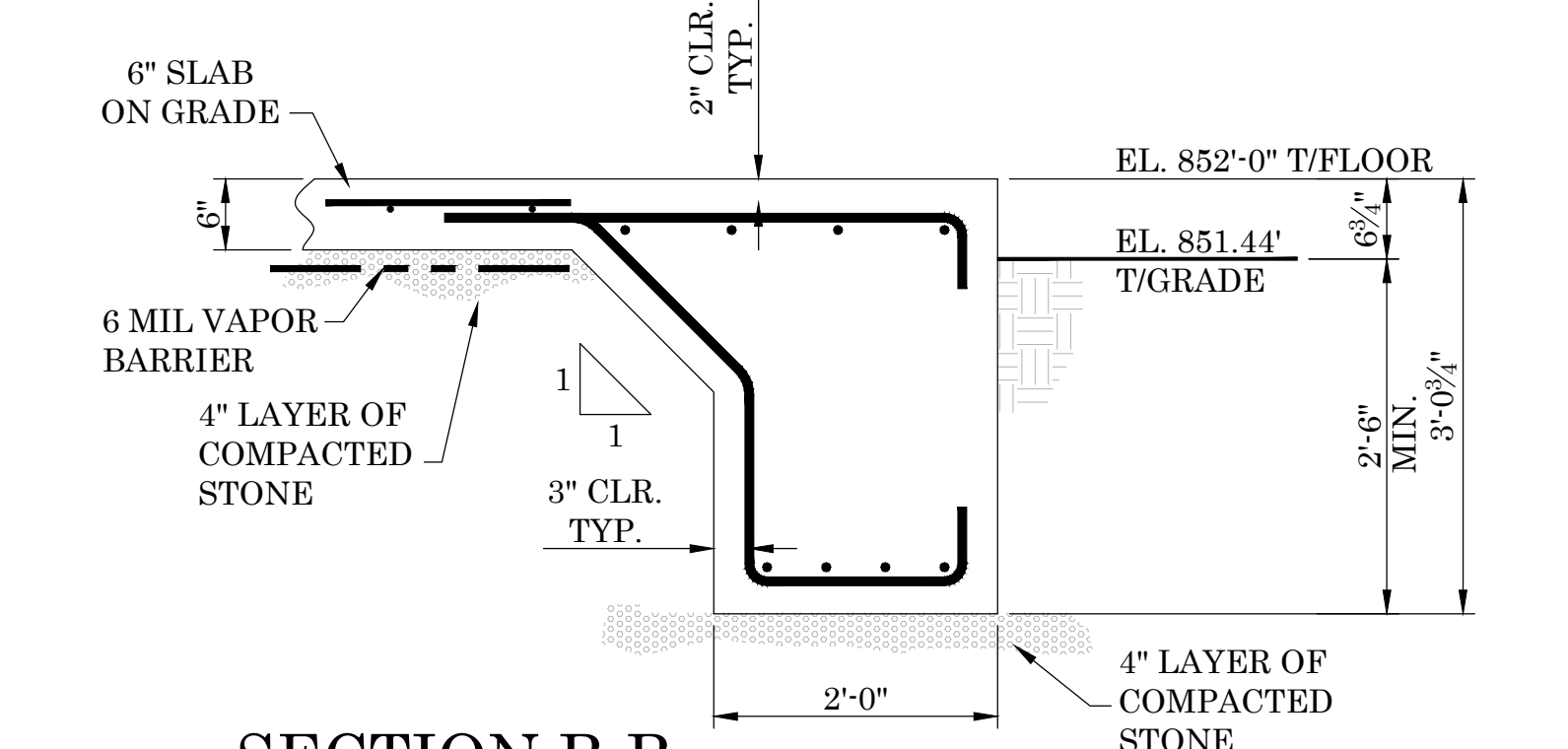
HOIST BUILDING FOUNDATION PLAN



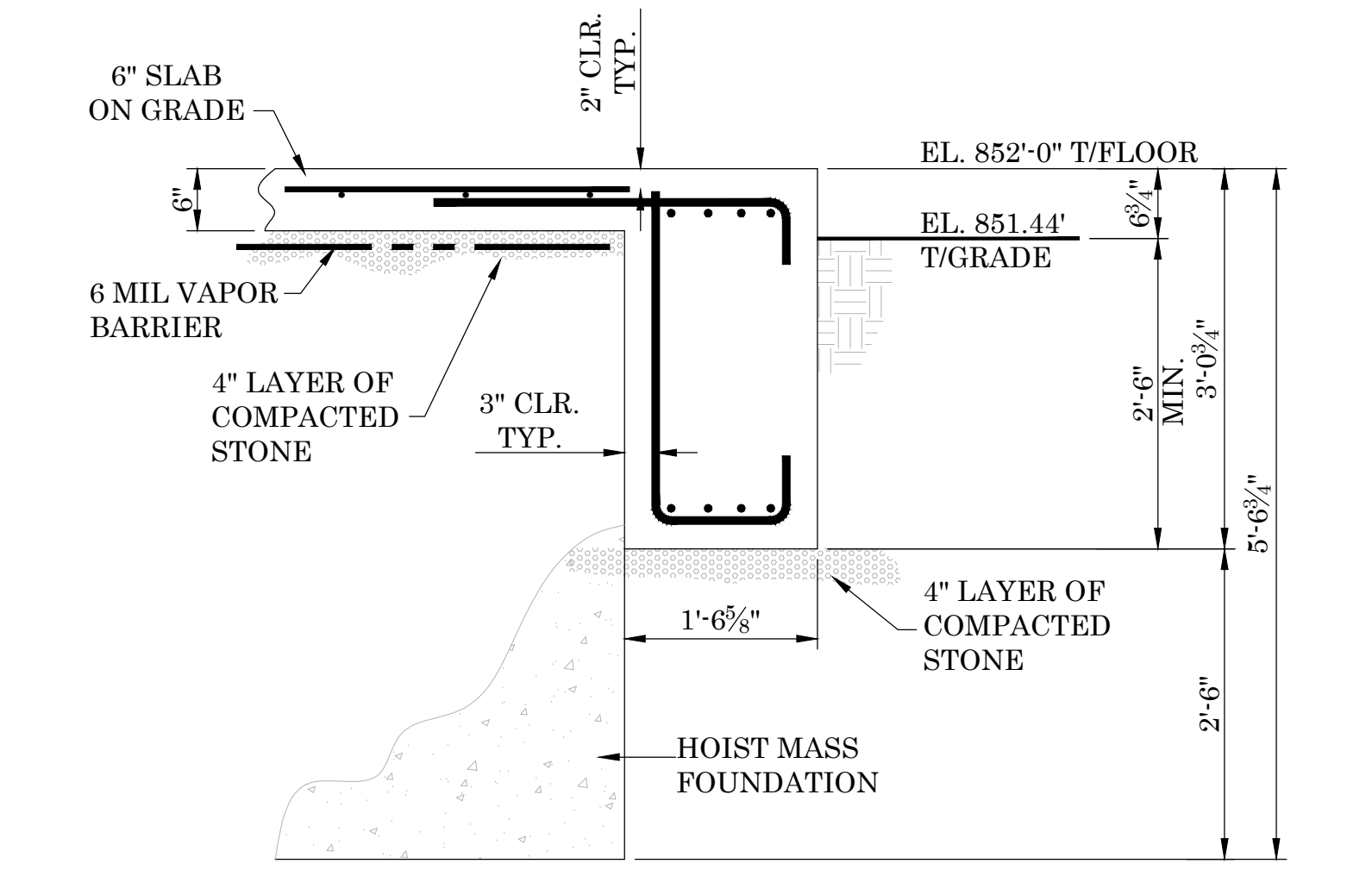
SECTION D-D



SECTION A-A
SCALE: 3/4" = 1'-0"

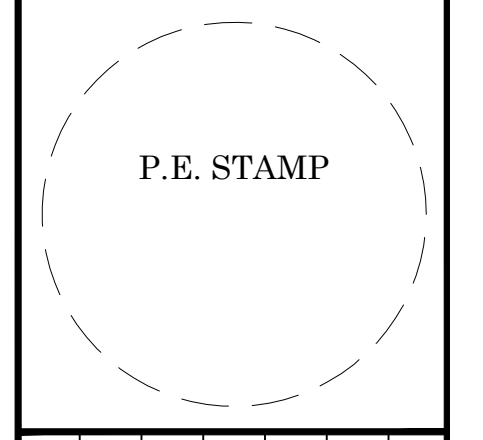
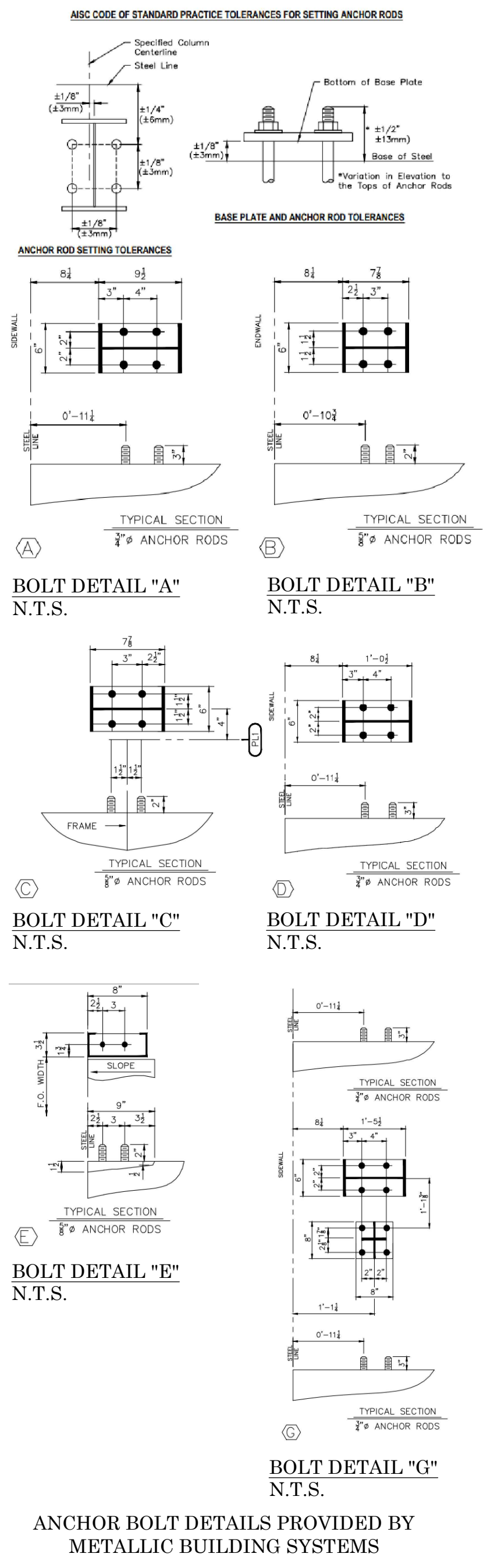


SECTION B-B
SCALE: 3/4" = 1'-0"



SECTION C-C
SCALE: 3/4" = 1'-0"

- DRAWING LIST**
- SEE DRAWING F1-100 FOR FOUNDATION & CONCRETE NOTES
 - SEE DRAWING F1-101 FOR FOUNDATION LAYOUT - ELEVATION VIEW
 - SEE DRAWING F1-102 FOR FOUNDATION LAYOUT - PLAN VIEW
 - SEE DRAWING F1-103 FOR HOIST BUILDING FOUNDATION LAYOUT
 - SEE DRAWING F1-104 FOR HOIST FOUNDATION LAYOUT
 - SEE DRAWING F1-105 FOR HOIST FOUNDATION REINFORCING DETAILS
 - SEE DRAWING F1-106 FOR HOIST ANCHOR BOLT DETAILS & REAR LEG FOUNDATION DETAILS



DATE:	
REVISIONS:	

PROJECT:	
CLIENT NAME:	

DRAWING TITLE:	
DRAWING DESCRIPTION:	
SCALE:	
DRAWN BY:	
PROJECT NUMBER:	
ISSUE DATE:	
DATE:	
PROJECT LOCATION:	

DRAWING REVISION	
DRAWING NUMBER	